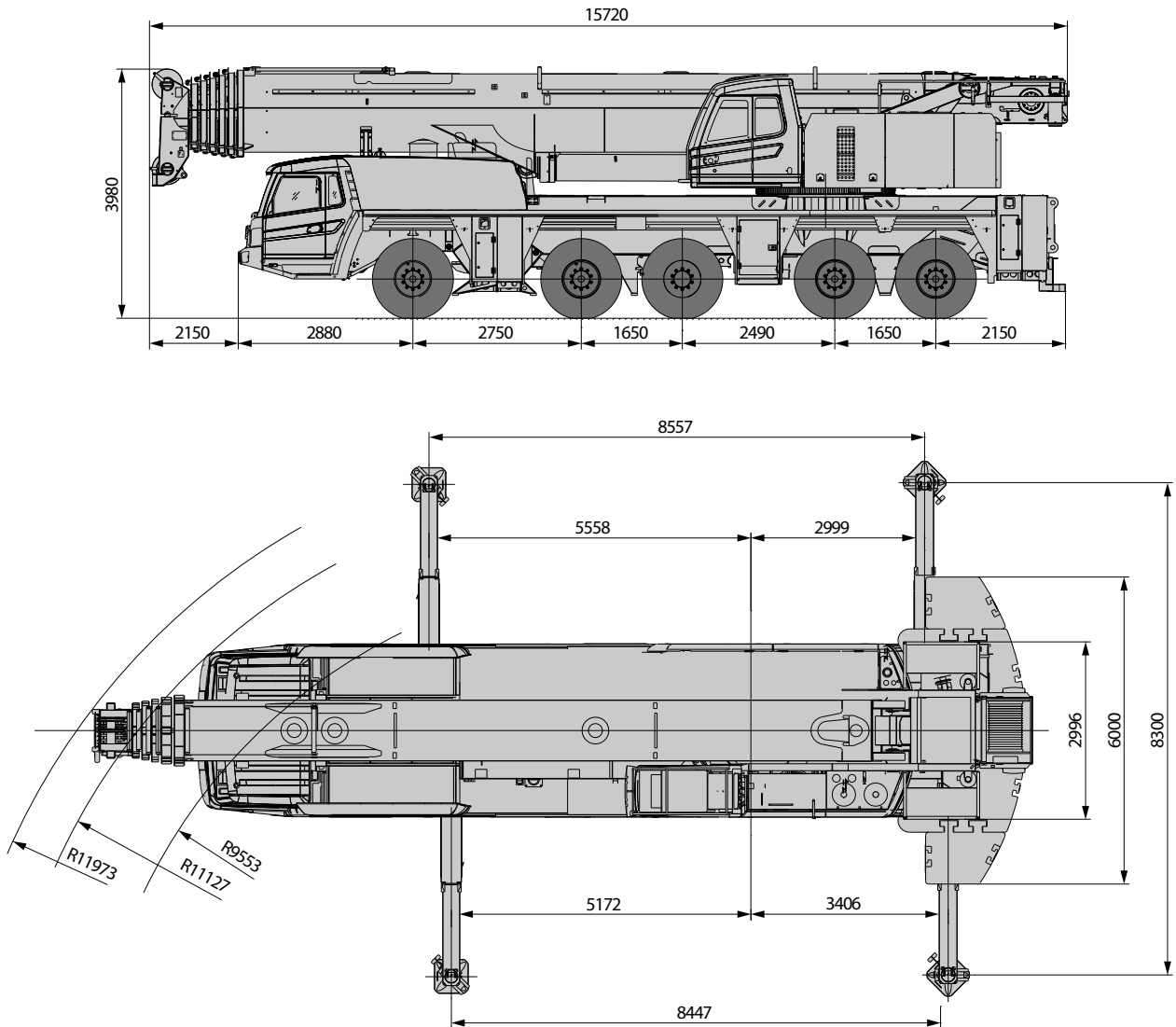
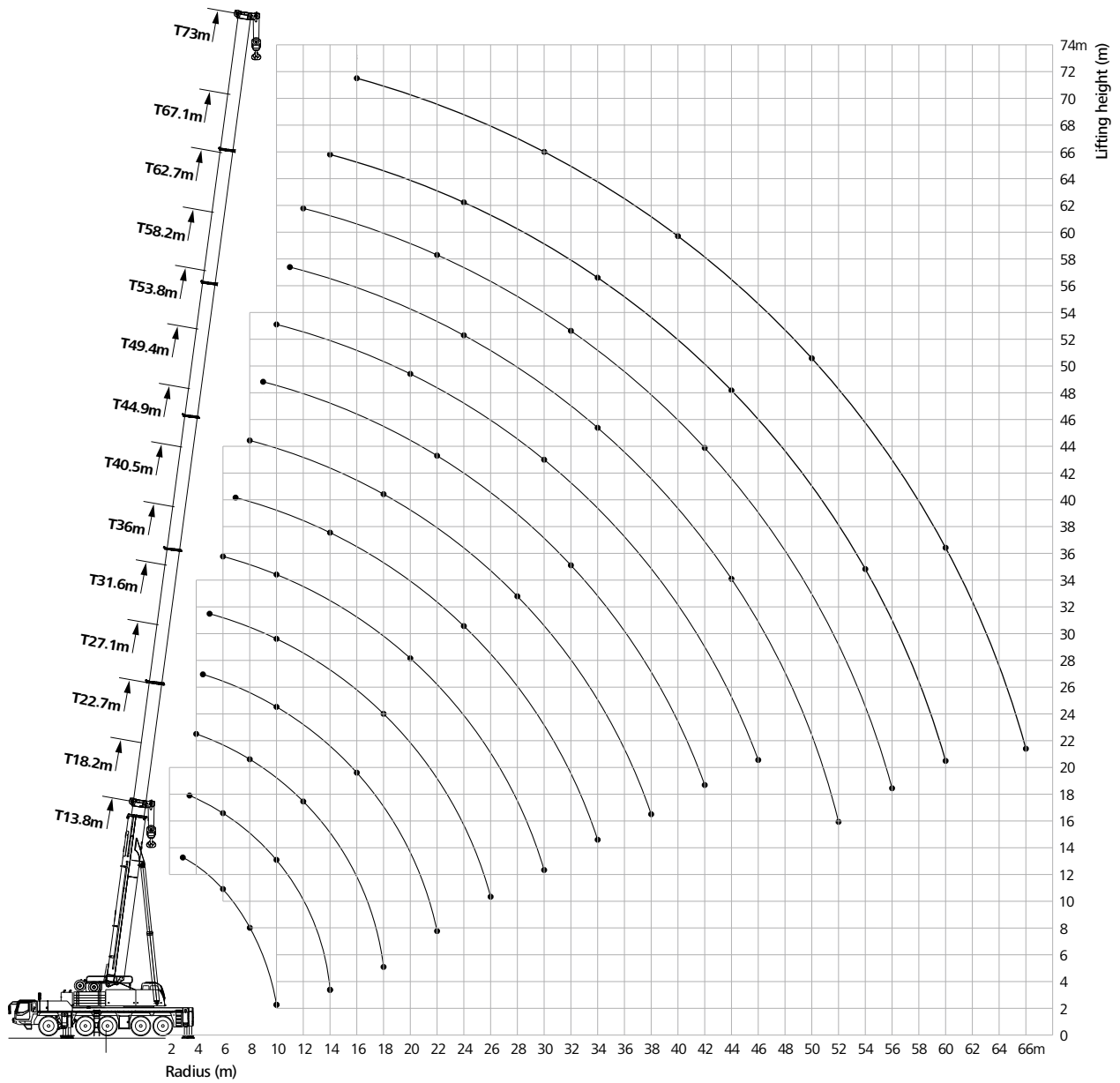


Overall Dimensions

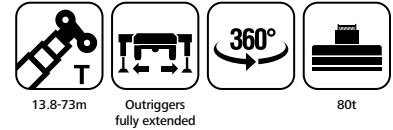


Boom Operating Range



Load Chart - Telescopic Boom

Unit: t



Radius (m)	13.8	18.2	18.2	18.2	22.6	22.6	22.6	22.6	27.2	27.2	27.2	27.2	31.5	31.5	31.5	Radius (m)
3	250															3
3.5	160	155.0	155.0	79.5												3.5
4	150	145.0	145.0	70.6	140.0	140.0	73.5	51.7								4
4.5	145	135.0	136.0	65.2	132.0	130.0	68.3	48.9	120	102	46.9	47.4				4.5
5	135	126.5	128.0	61.9	123.0	123.0	63.7	45.6	115	90	44	44.4	110	83.3	50.0	5
6	120	112.5	113.0	57.3	109.5	110.0	57.0	41.1	103	80	39.3	39.7	101	73.2	45.0	6
7	106	101.5	102.0	52.6	98.5	99.0	51.9	37.5	92	72.5	35.1	35.8	95	65.4	40.0	7
8	91.5	92.0	92.5	48.7	89.0	90.0	48.5	34.1	83	66	31.9	32.5	87	59.4	34.0	8
9	80.5	82.5	83.5	44.0	81.5	82.0	45.0	31.6	77.1	61	28.9	29.4	79.3	54.8	31.0	9
10	70	75.5	76.0	42.4	75.0	75.0	41.5	29.1	71.1	57	26.7	27.1	73	50.5	28.0	10
11		68.5	69.5	39.9	69.0	69.0	36.9	27.2	65.5	52	24.6	25	67.5	46.5	26.0	11
12		60.0	61.0	37.9	60.5	61.0	36.0	25.6	57.4	49	23	23.5	60	43.6	24.0	12
14		48.0	49.0	33.8	47.5	48.5	31.5	22.5	45.5	43	19.9	20.3	48	41.5	20.5	14
16					39.3	41.0	28.0	20.5	39	38	17.7	18.1	40.5	39	18.5	16
18					33.1	35.0	25.5	18.2	33	32	15.8	16.4	34.5	33	16.5	18
20									28	28	14.3	14.8	30	28.5	14.5	20
22									24	24.2	13.2	13.4	26	24.5	13.2	22
24													22.8	21.5	11.5	24
26													20	18.8	10.5	26
28																28
30																30
32																32
34																34
36																36
38																38
40																40
42																42
44																44
46																46
48																48
50																50
52																52
54																54
56																56
58																58
60																60
62																62
64																64
66																66
68																68
70																70
72																72
Parts of line	16	15	15	8	14	14	8	8	12	11	5	5	10	9	6	Parts of line
II	0	45	0	0	45	0	0	0	45	90	0	0	45	90	0	II
III	0	0	0	0	45	45	0	0	45	45	0	0	45	45	0	III
IV	0	0	45	0	0	45	0	0	45	0	0	0	45	45	0	IV
V	0	0	0	0	0	0	0	0	0	0	0	0	45	0	90	V
VI	0	0	0	0	0	0	45	0	0	0	90	45	0	0	45	VI
VII	0	0	0	45	0	0	45	90	0	0	45	90	0	0	45	VII